



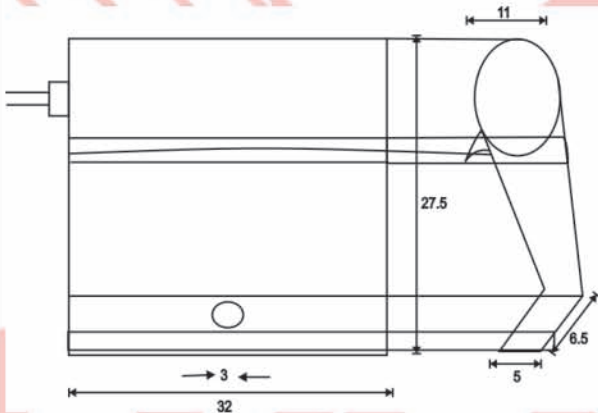
PARASNATH

PARAS

Magnetic Proximity Switch

Model No.-----PE-917

- | | |
|-----------------------------|-----------------|
| 1.Contact Rating | : 10 |
| 2.Switching Voltage | : 200(VDC) |
| 3.Breakdown Voltage | : 250(VDC) |
| 4.Switching Current | : 500(mAmp.) |
| 5.Contact Resistance | : 150(mOhm) |
| 6.Operating Time | : 1.0(mSec.) |
| 7.Operating & Storage Temp. | : -25To +75 |
| 8.Must Operating Dis. | : 7(mm Max.) |
| 9.Must Release Dis. | : 8-10(mm Min.) |
| 10.Approval | : CE Approved |



PARASNATH ELECTRONICS Pvt. Ltd

MODEL NO : - PE - 917

D r a w i n g N O : -

M a k e - P A R A S

Dimensions:- All Dim in mm