



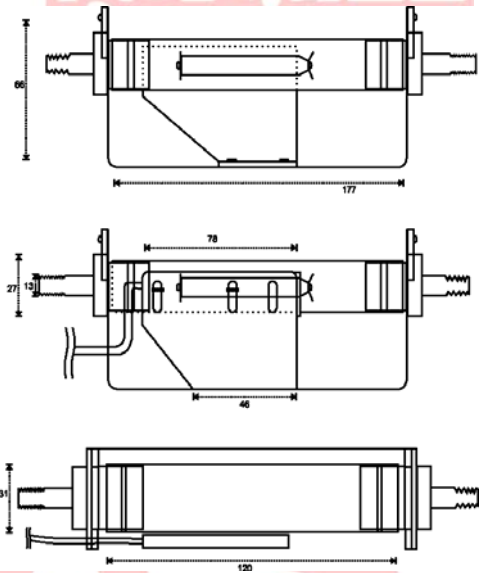
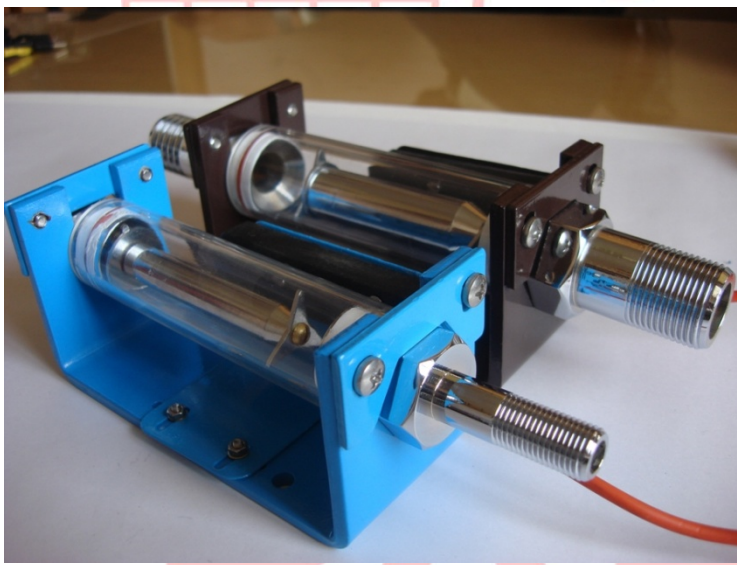
**PARASNATH ELECTRONICS PVT. LTD.,**  
**B-36/5, G.T.KARNAL ROAD INDUSTRIAL AREA, DELHI-110033**

CIN No. U74899DL1995PTC073088

Ph.No. :- +91 11 45872116, 45872117, Mobile No. :- +91 9810096248, Email :- Info@proximityswitches.in

## Magnetic Flow Switch

- |                                     |                                  |
|-------------------------------------|----------------------------------|
| 1. FLOW RATE                        | : 2GPM ,4GPM, 6GPM, 8GPM & 10GPM |
| 2. SWITCH RATING                    | : 25 WATTS, REED SWITCH          |
| 3. PIPE                             | : ACRYLIC                        |
| 4. FLOAT, NIPPLE & WASHER           | : BRASS                          |
| 5. NUT & SCREWS                     | : SS                             |
| 6. BASE,SIDE CLAMPS & SWITCH CLAMPS | : ALUMINIUM                      |
| 7. MAGNET                           | : ALNICO                         |
| 8. MAKE                             | : PARAS                          |
| 9. APPROVAL                         | : CE APPROVED                    |



**PARASNATH ELECTRONICS PVT. LTD.**

**Model no.----- PE-MFS**

**Make----- PARAS**

**Dimensions--- All Dim. in mm**