



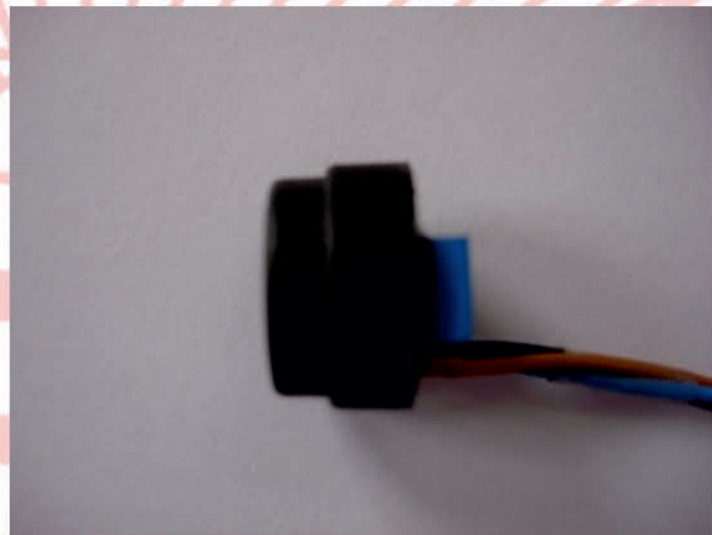
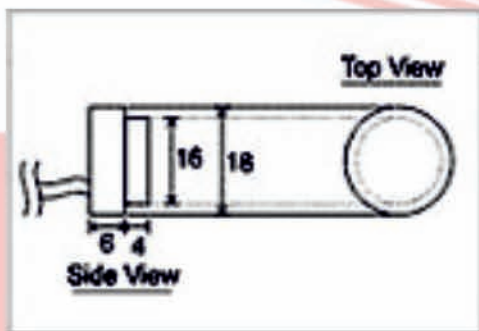
PARASNATH

PARAS

Inductive Proximity Switch

Model No.-----PE-5D-540 -R-P

SIZE	: R-18XRound
TYPE	: PNP
OUTPUT LOGIC	: NO
OPERATING VOLTAGE	: 10-30 VDC
MAX. LOAD CURRENT	: 50 mAmp.
SENSING DISTANCE	: 5.0 mm for standard object size
SWITCHING FREQUENCY	: 350 Hz.
VOLTAGE DROP AT FULL LOAD	: 2.0 VDC
NO LOAD CURRENT	: >10.0 mAmp.
RESIDUAL CURRENT	: 0.001 mAmp.
POSITION INDICATION	: LED
CABLE	: 3 core PVC & PU Flexible
H.V. TEST	: 1.5 KV for 1 Sec.
AMBIENT TEMP.	: 70° C
ENCLOSURE	: Plastic
PROBE SIZE	: 18XRound
PROTECTION GRADE	: IP-67
APPROVALS	: CE
STANDARD OBJECT SIZE	: 20X20X1 mm



PARASNATH ELECTRONICS Pvt. Ltd

MODEL NO : - R-18xRound

D r a w i n g N O : -

M a k e - P A R A S

Dimension :- All Dim in mm