



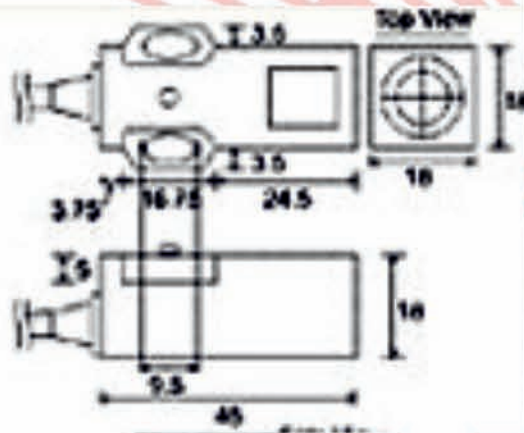
# PARASNATH

## PARAS

### Inductive Proximity Switch

Model No.-----PE-8D-540-N-3

SIZE	: R-18x18x45
TYPE	: NPN
OUTPUT LOGIC	: NO
OPERATING VOLTAGE	: 5-40 VDC
MAX. LOAD CURRENT	: 300 mAmp.
SENSING DISTANCE	: 6.0 mm for standard object size
SWITCHING FREQUENCY	: 350 Hz.
VOLTAGE DROP AT FULL LOAD	: 2.5 VDC
NO LOAD CURRENT	: >10.0 mAmp.
RESIDUAL CURRENT	: 0.001 mAmp.
POSITION INDICATION	: LED
CABLE	: 3 core PVC & PU Flexible
H.V. TEST	: 1.5 KV for 1 Sec.
AMBIENT TEMP.	: 70° C
ENCLOSURE	: Plastic
PROBE SIZE	: 18x18x45
PROTECTION GRADE	: IP-67
APPROVALS	: CE
STANDARD OBJECT SIZE	: 25X25X1 mm



**PARASNATH ELECTRONICS Pvt. Ltd**

**MODEL NO : - R-18X18X45**

**D r a w i n g   N O   :   -**

**M a k e            -            P A R A S**

**Dimension :- All Dim in mm**



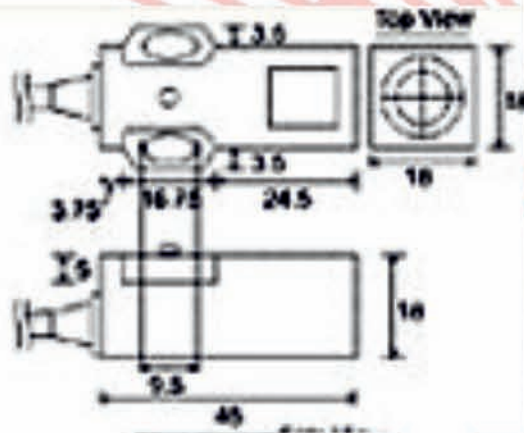
# PARASNATH

## PARAS

### Inductive Proximity Switch

Model No.-----PE-8D-540-N-3

SIZE	: R-18x18x45
TYPE	: NPN
OUTPUT LOGIC	: NO
OPERATING VOLTAGE	: 5-40 VDC
MAX. LOAD CURRENT	: 300 mAmp.
SENSING DISTANCE	: 6.0 mm for standard object size
SWITCHING FREQUENCY	: 350 Hz.
VOLTAGE DROP AT FULL LOAD	: 2.5 VDC
NO LOAD CURRENT	: >10.0 mAmp.
RESIDUAL CURRENT	: 0.001 mAmp.
POSITION INDICATION	: LED
CABLE	: 3 core PVC & PU Flexible
H.V. TEST	: 1.5 KV for 1 Sec.
AMBIENT TEMP.	: 70° C
ENCLOSURE	: Plastic
PROBE SIZE	: 18x18x45
PROTECTION GRADE	: IP-67
APPROVALS	: CE
STANDARD OBJECT SIZE	: 25X25X1 mm



**PARASNATH ELECTRONICS Pvt. Ltd**

**MODEL NO : - R-18X18X45**

**D r a w i n g   N O   :   -**

**M a k e        -        P A R A S**

**Dimension :- All Dim in mm**